



Item# SML233102-CH

Specifications

Category: Pendant Lamp

Fixture Dimension: D24"xH30"

Wire/Chain Length: 118"/78.75"

Fixture Weight: 24.2Lbs(11Kg)

Fixture Finish: Crystal and Iron with Chrome

Bulb: 6x18W G9 Base-NOT INCLUDED

Maximum Wattage: 18W

Voltage: 120V

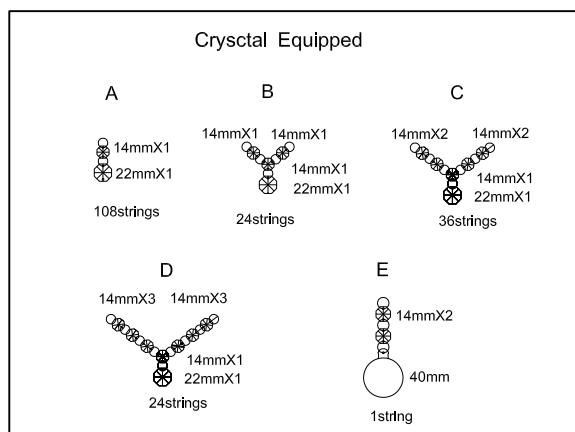
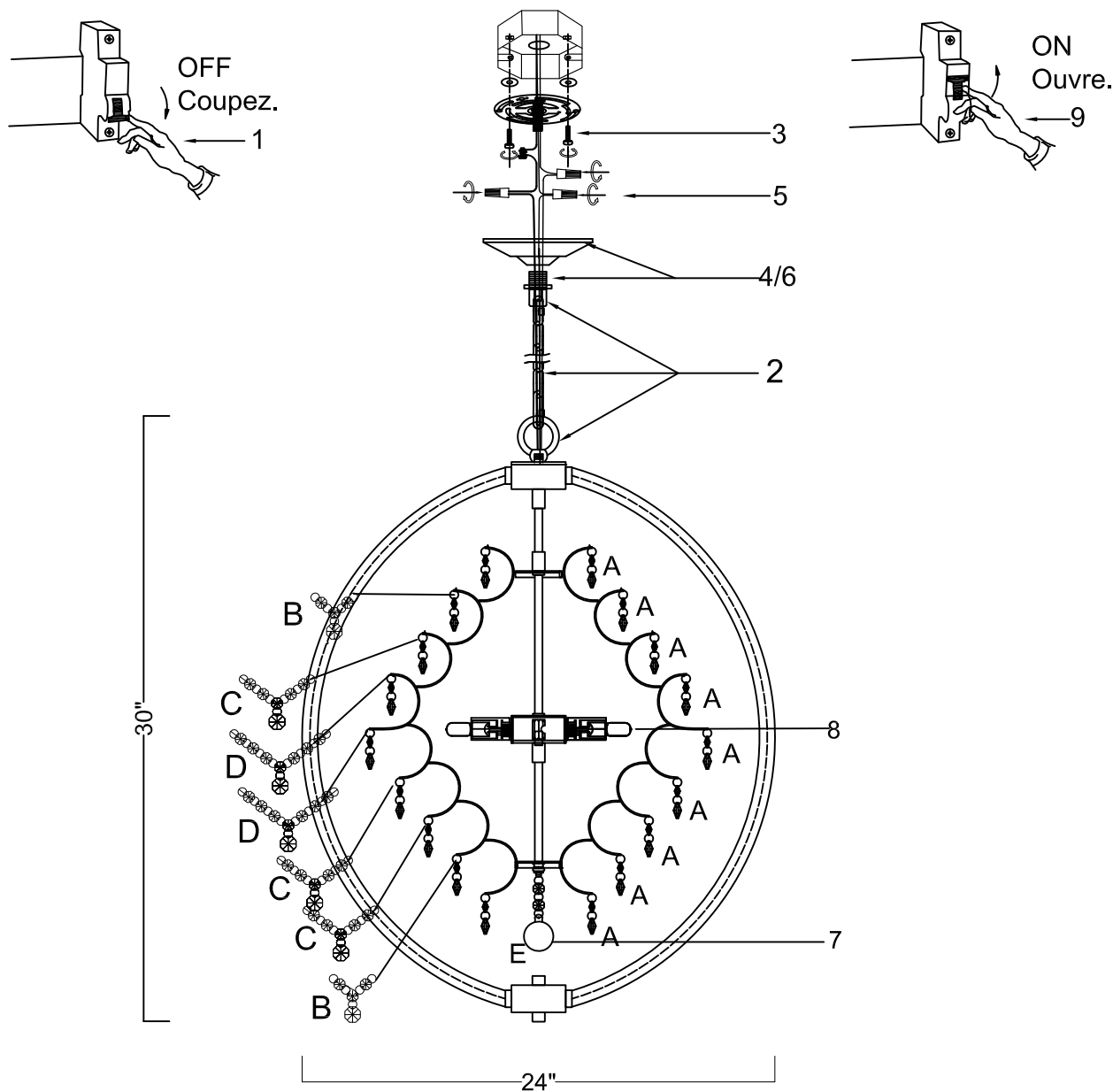
Approved Location: Dry Location

Safety Certification:



Assembly Instructions

Item# SML233102-CH



How to Install

1. Shut off Power, Do a complete inventory of all parts and components before you start installing.
2. Install the Mounting Plate on the outlet box.
3. Attach the Canopy to the Mounting Plate.
Secure it with Collar Loop and twist the Collar Ring off.
4. Use the wire connectors to connect wires.
5. Push the canopy up and Secure it with Collar Ring.
6. After safety attaching fixture into outlet box, Dress the fixture with Crystal E(A,B,C,D have dressed).
7. Install bulbs.
8. Proceed to connecting the power.



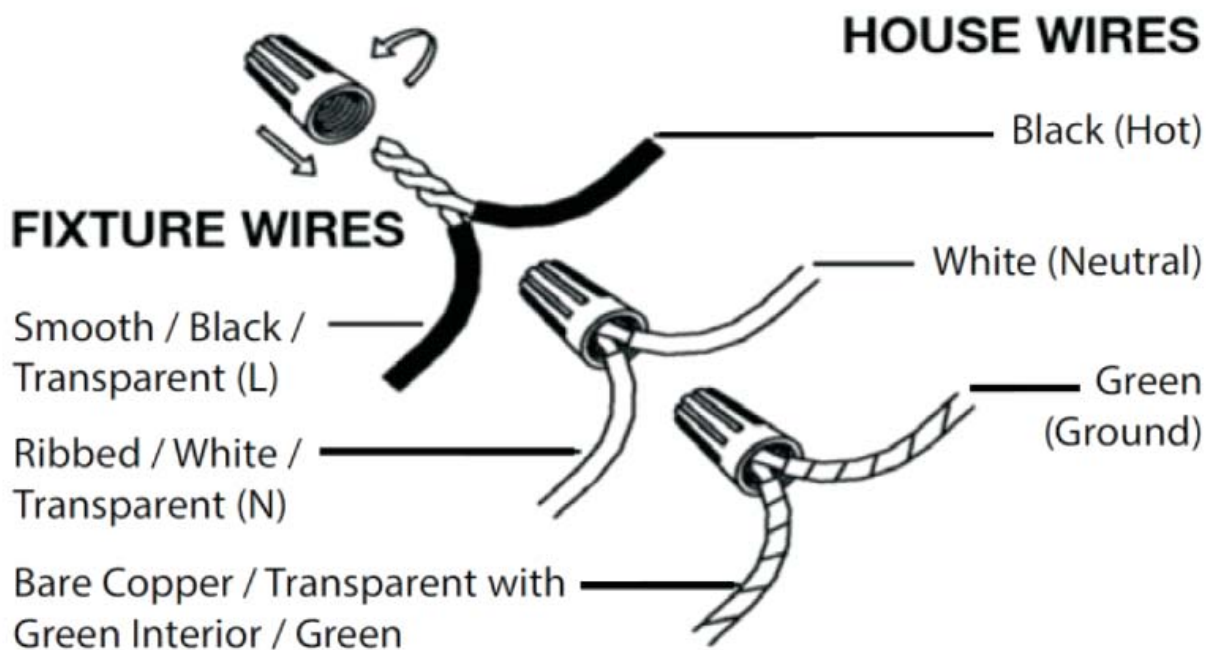
Wire Connections

ATTENTION:

THIS PRODUCT MUST BE INSTALLED IN ACCORDANCE WITH THE APPLICABLE INSTALLATION CODE BY A PERSON FAMILIAR WITH THE CONSTRUCTION AND OPERATION OF THE PRODUCT AND THE HAZARDS INVOLVED.

Note:

CE PRODUIT DOIT ÊTRE INSTALLÉ SELON LE CODE D'INSTALLATION PERTINENT, PAR UNE PERSONNE QUI CONNAÎT BIEN LE PRODUIT ET SON FONCTIONNEMENT AINSI QUE LES RISQUES INHÉRENTS.



Use standard wire connectors to make all wire connections.

Twist connectors until wires are tightly joined together.
Wrap each connection with approved electrical tape and carefully stuff all the connected wires into outlet box. □