



## **Item# SML333105**

### **Specifications**

---

Category: Flush Mount

---

Fixture Dimension: D16"xH10"

---

Wire/Chain Length: N/A

---

Fixture Weight: 6.6Lbs(3.0Kg)

---

Fixture Finish: Crystal and Iron with Chrome

---

Bulb: 6x40W E12 Base-NOT INCLUDED

---

Maximum Wattage: 40W

---

Voltage: 120V

---

Approved Location: Dry Location

---

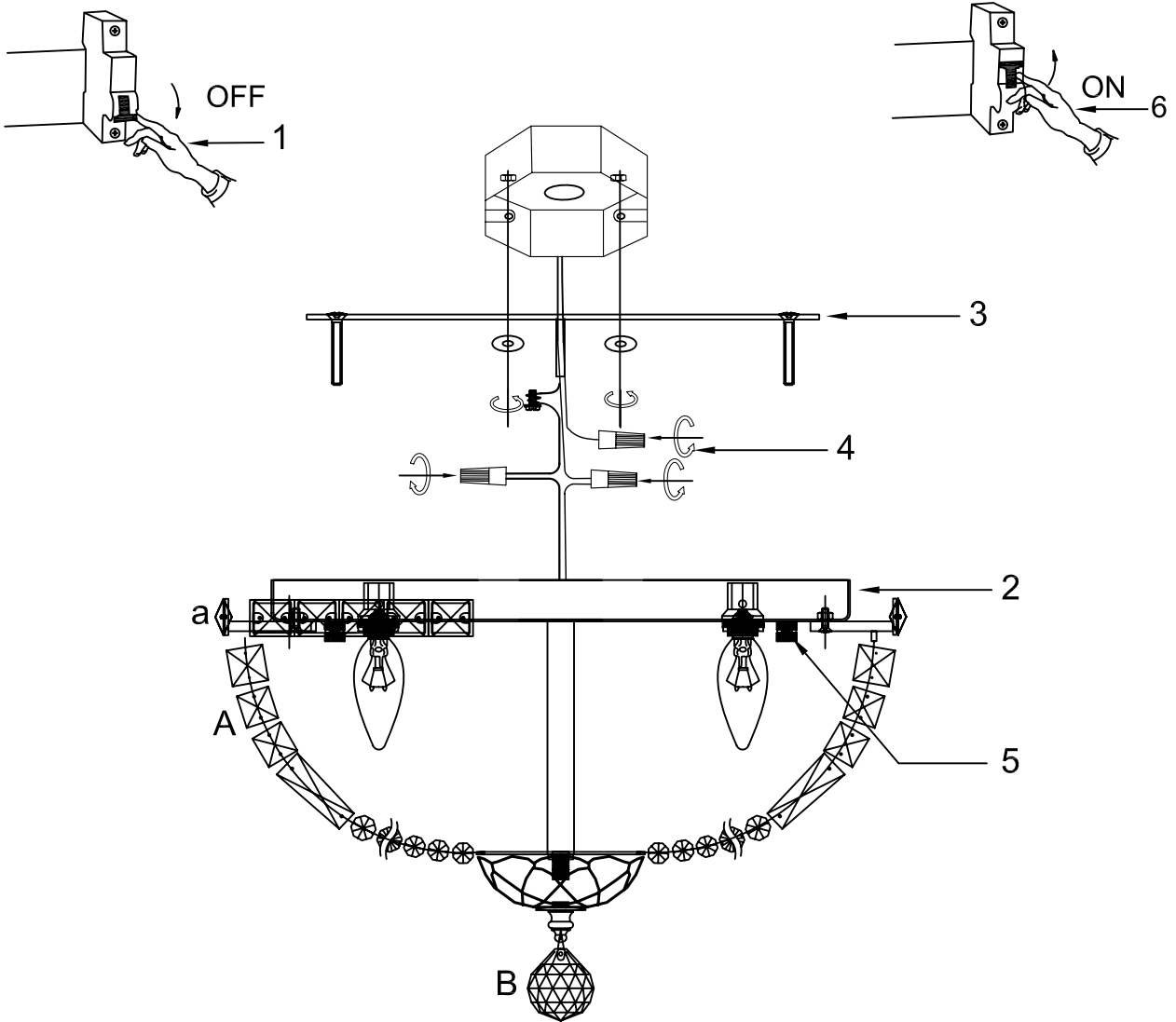
Safety Certification: CUL

---

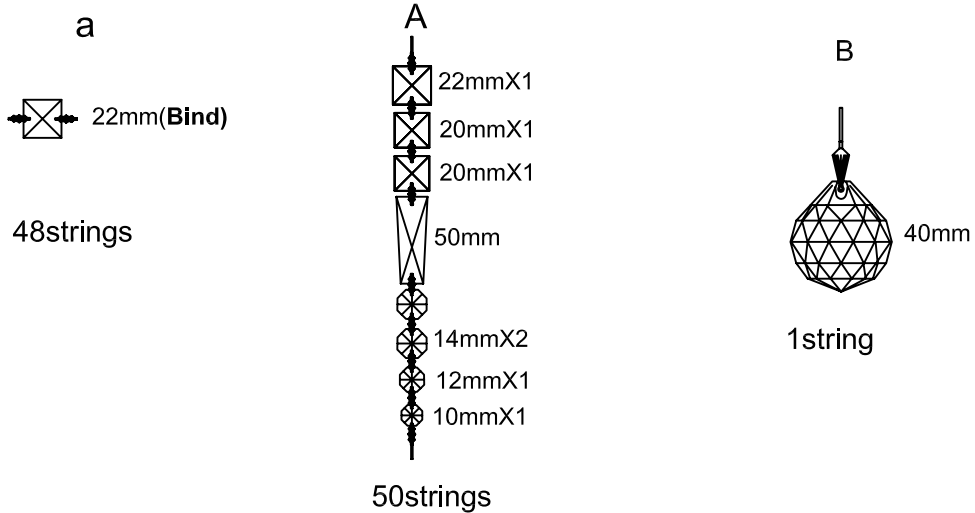


# Assembly Instructions

## Item# SML333105



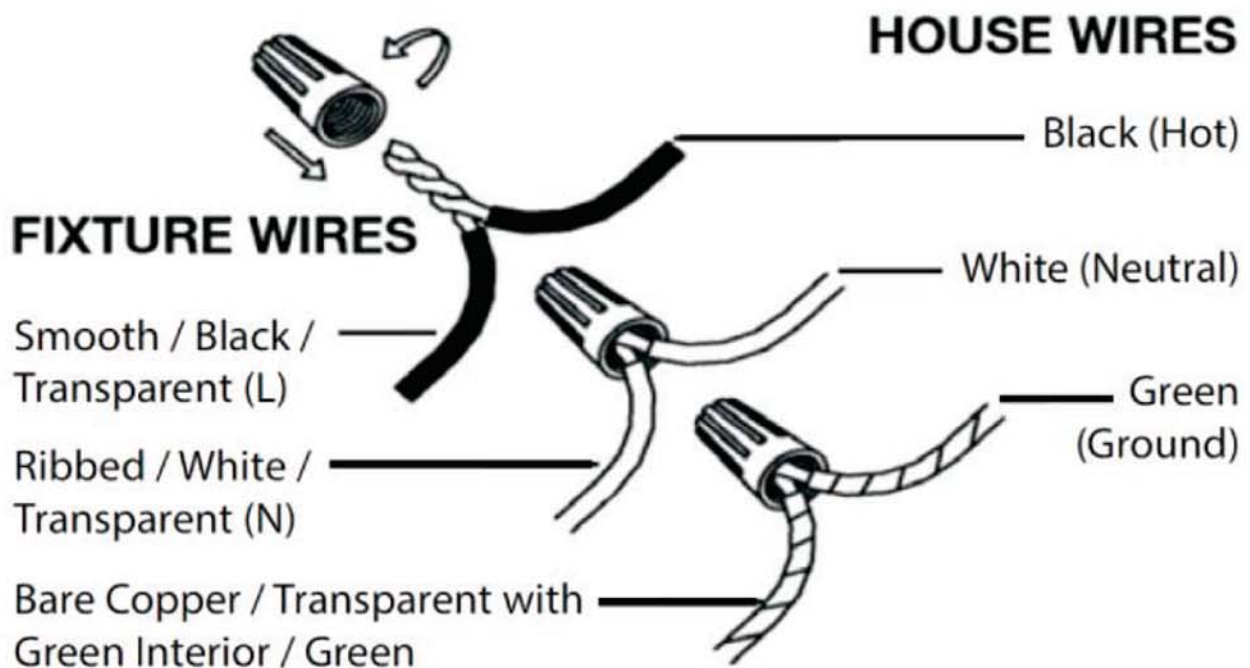
### Crystal Equipped



## Wire Connections

### **ATTENTION:**

FIXTURE INSTALLATION MUST BE DONE BY A LICENSED ELECTRICIAN  
SHUT OFF POWER SUPPLY AT FUSE OR CIRCUIT BREAKER  
USE ONLY THE SPECIFIED BULBS & DO NOT EXCEED THE MAXIMUM WATTAGE



Use standard wire connectors to make all wire connections.

Twist connectors until wires are tightly joined together.  
Wrap each connection with approved electrical tape and  
carefully stuff all the connected wires into outlet box.