



Item# SML333106

Specifications

Category: Flush Mount

Fixture Dimension: D20"xH5.5"

Wire/Chain Length: N/A

Fixture Weight: 27.5Lbs(12.5Kg)

Fixture Finish: Crystal and Iron with Chrome

Bulb: 6x40W E12 Base-NOT INCLUDED

Maximum Wattage: 40W

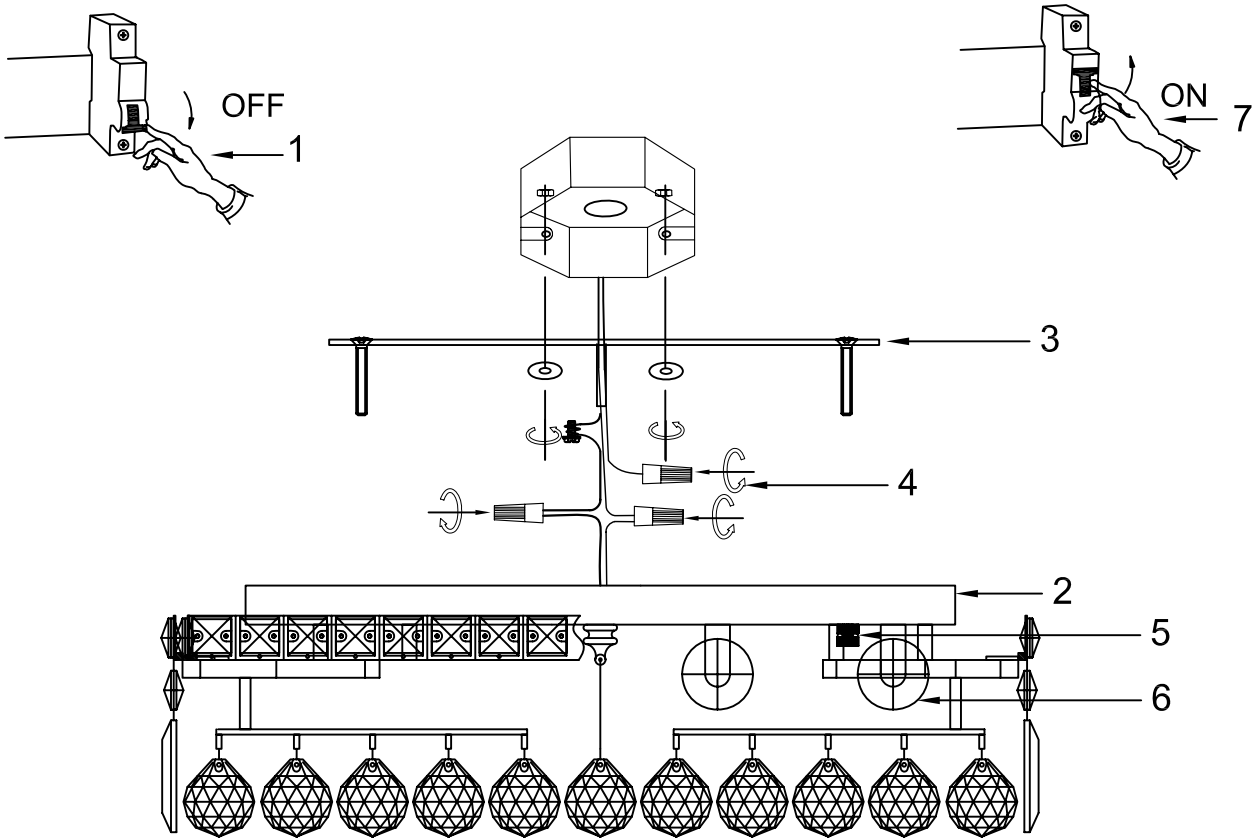
Voltage: 120V

Approved Location: Dry Location

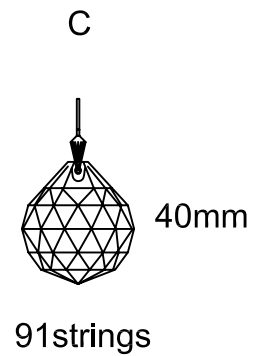
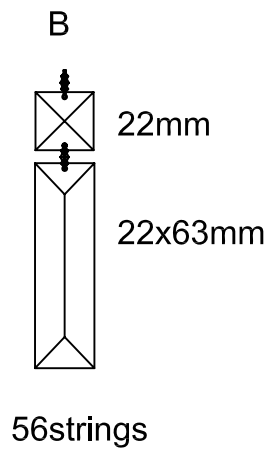
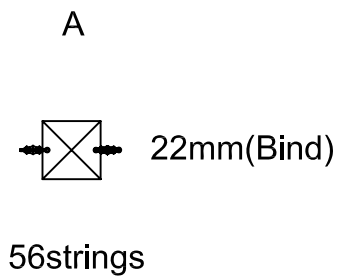
Safety Certification: CUL

Assembly Instructions

Item# SML333106



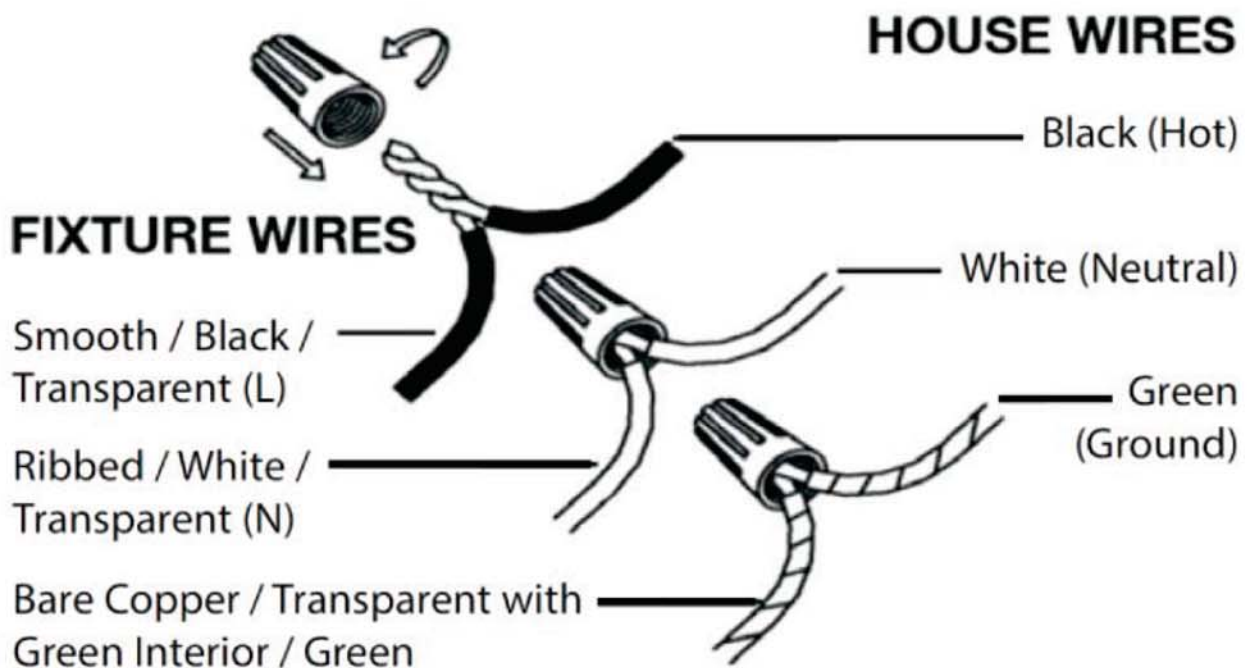
Crystal Equipped



Wire Connections

ATTENTION:

FIXTURE INSTALLATION MUST BE DONE BY A LICENSED ELECTRICIAN
SHUT OFF POWER SUPPLY AT FUSE OR CIRCUIT BREAKER
USE ONLY THE SPECIFIED BULBS & DO NOT EXCEED THE MAXIMUM WATTAGE



Use standard wire connectors to make all wire connections.

Twist connectors until wires are tightly joined together.
Wrap each connection with approved electrical tape and
carefully stuff all the connected wires into outlet box.